

NOISY by Alice Caetano

SIZES

Child (Adult S, Adult M, Adult L)

MEASUREMENTS

42.5 (45, 47.5, 52.5) cm / 16 ½ (17 ¾, 18 ¾, 20 ½)" circumference
To fit 51 (53.5, 56, 61) cm / 20 (21, 22, 24)" head

Shown in size Adult M on a 56 cm / 22" head

GAUGE (AFTER BLOCKING)

16 sts and 22 rows = 10 cm / 4" with both yarns in 2x2 rib, relaxed

CONSTRUCTION NOTES

Hat is knit with two strands of yarn held together, bottom up in a very stretchy 2x2 rib, with a circular crown construction that shows no decrease lines.

MATERIALS

YARN

Approximately 130 (145, 160, 195) metres / 140 (160, 175, 215) yards in MC and 130 (145, 160, 195) metres / 140 (160, 175, 215) yards in CC of DK/8 ply weight yarn

For an interactive tool to try out different colour combinations of yarns & pompom, visit the pattern page – www.knitburo.com/patterns/noisy

NEEDLES

6 mm 80 cm / US 10 32" circular needle, using magic loop method or size needed to obtain gauge

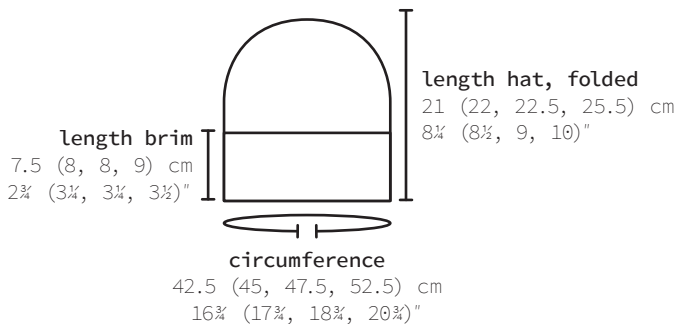
Hat may also be knit with shorter circular needles and/or dpns

TOOLS

1 stitch marker, tapestry needle, pompom

ABBREVIATIONS

MC: main colour	K: knit
CC: contrasting colour	P: purl
st: stitch	p2tog: purl 2 together
BOR: beginning of round	k2tog: knit 2 together



STITCH PATTERN

2X2 RIB (4 sts)

*K2, p2; repeat from * to end.

INSTRUCTIONS

HAT

Holding MC and CC yarns together, cast on 68 (72, 76, 84) sts using tubular cast-on. Place BOR marker and join in the round.

Work 2x2 rib until piece measures 21 (22.5, 23.5, 27.5) cm / 8 ¼ (9, 9 ¼, 10 ¾)" [or 46 (50, 52, 60) rounds] from cast-on.

CROWN

Decrease round 1: *K2, p2tog; repeat from * to end. [17 (18, 19, 21) sts decreased – 51 (54, 57, 63) sts]

Next round: *K2, p1; repeat from * to end.

Repeat previous round 6 more times.

Decrease round 2: *K2tog, p1; repeat from * to end. [17 (18, 19, 21) sts decreased – 34 (36, 38, 42) sts]

Next round: *K1, p1; repeat from * to end.

Repeat previous round 2 more times.

Decrease round 3: Remove BOR, K 1 st, replace BOR, *k2tog; repeat from * to end. [17 (18, 19, 21) sts decreased – 17 (18, 19, 21) sts]

Next round: K to end.

Decrease round 4: *K2tog; repeat from * to last 1 (0, 1, 1) st, k 1 (0, 1, 1) st. [8 (9, 9, 10) sts decreased – 9 (9, 10, 11) sts]

Decrease round 5: *K2tog; repeat from * to last 1 (1, 0, 1) st, k 1 (1, 0, 1) st. [4 (4, 5, 5) sts decreased – 5 (5, 5, 6) sts]

Cut yarns, leaving 12 cm / 5" tails and thread through remaining stitches, removing them from needle. Weave in ends and wet block. Top with a pompom.